



Code : W1103

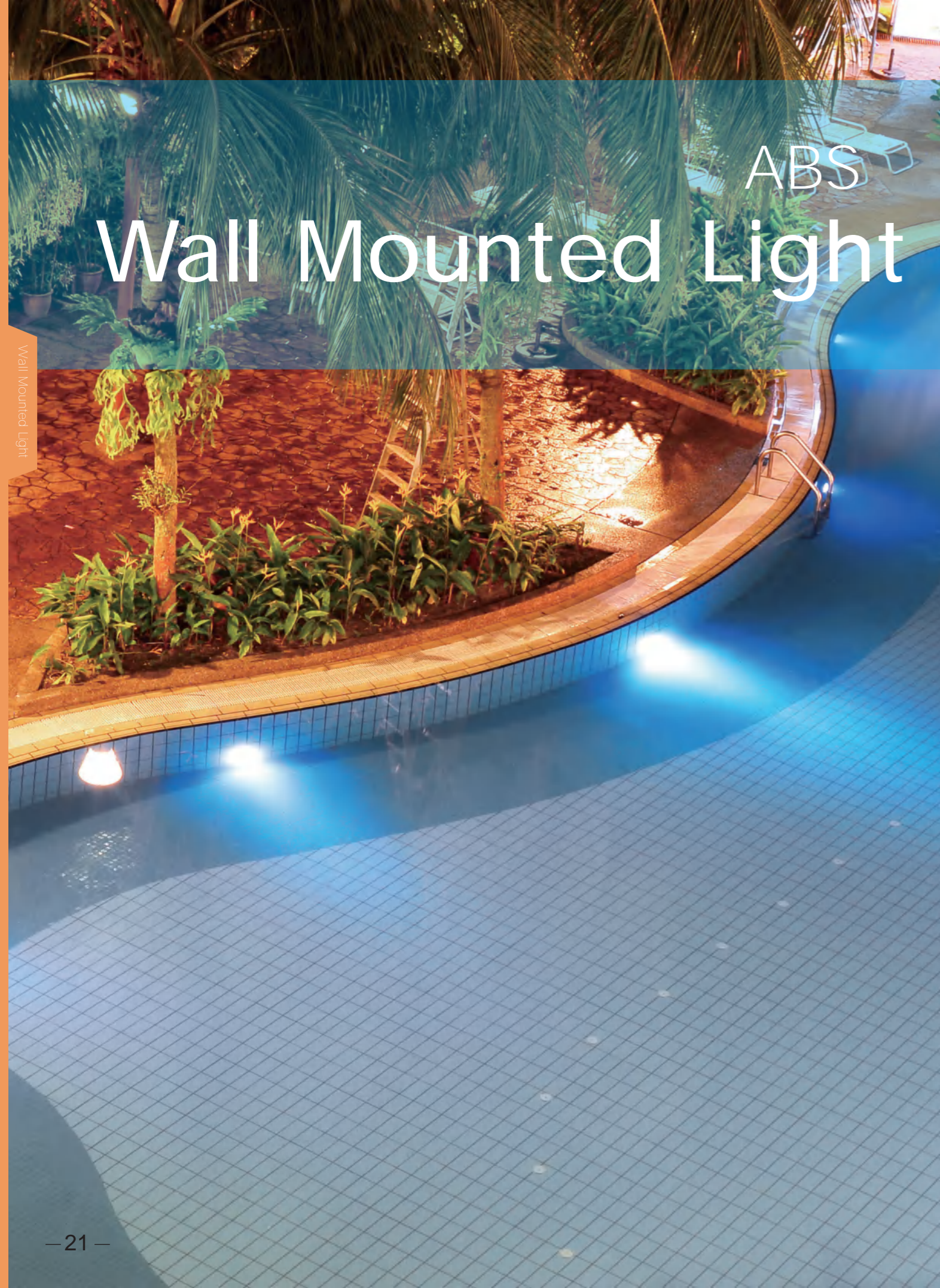
ABS Unibody + PC cover with small lens

108pcs SMD5050 LED, 25W



| Code | Vol. | Power | Color | Lumens | LED Type | Control |
|------------------|-------|-------|-------|--------|----------------|---------|
| W1103-S108WHT | AC12V | 25W | 6400K | 2750lm | 108pcs SMD5050 | -- |
| W1103-S108WW | AC12V | 25W | 3000K | 2500lm | 108pcs SMD5050 | -- |
| W1103-S108RGB | AC12V | 25W | RGB | 1350lm | 108pcs SMD5050 | ON/OFF |
| W1103-S108RGBR15 | AC12V | 25W | RGB | 1350lm | 108pcs SMD5050 | Remote |

ABS Wall Mounted Light



Control Systems

PAR56 + Fixture

Wall Mounted Light

15 / 20 Inch Light

Mini Pool Light

SS Underwater Light

Fountain Light

Accessories

- Unibody, **IP68**, no water leaking
- SMD5050 LED, good color mixing
- PC cover with small lens, Soft light
- Suit for different type pools



240mm



Code : W1001

Round ABS + PC cover with big lens



Code : W1101

Round ABS + PC cover with small lens



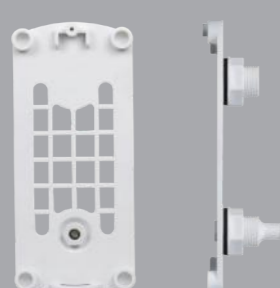
BRT001

BRT002

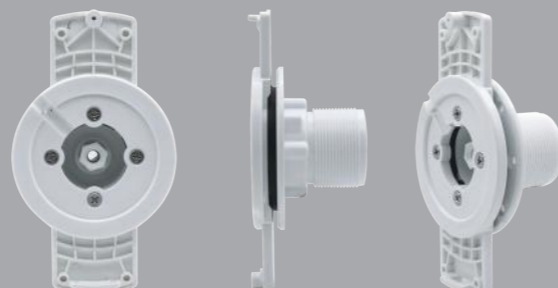
BRT004



For Concrete Pool



For Liner Pool
For Fiberglass Pool



For Concrete + Liner Pool

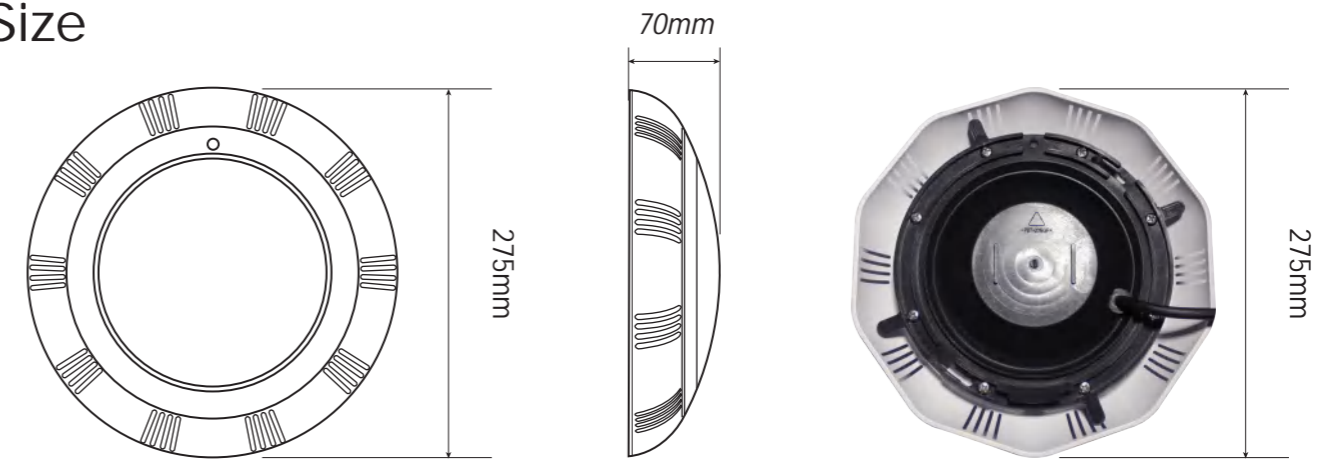


Code : W1002

Decagon ABS + PC cover with big lens



Size



For Concrete Pool



For Liner Pool
For Fiberglass Pool



R15 Controller

Code : W1102

Decagon ABS + PC cover with small lens



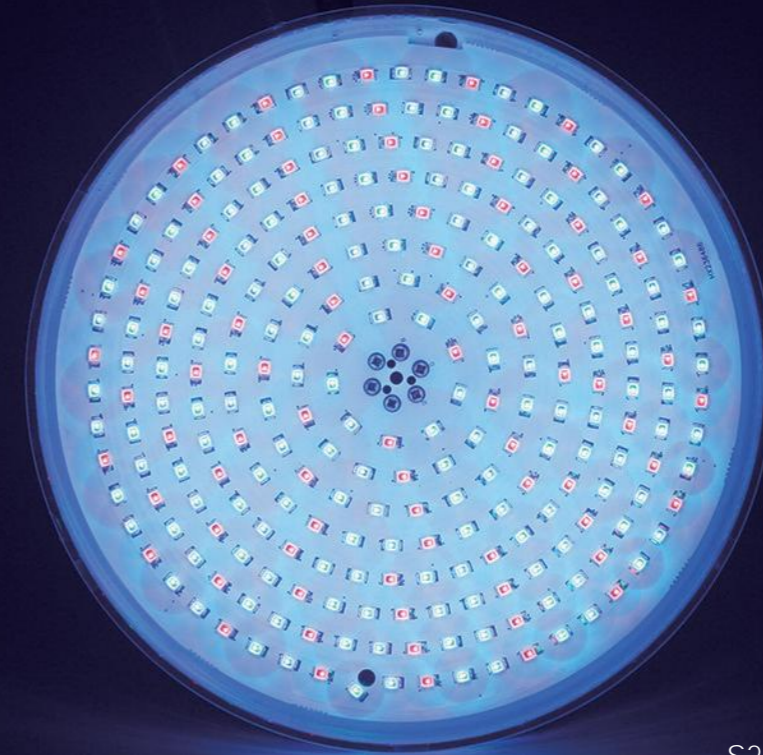
Specification

| Code | Vol. | Power | Color | Lumens | LED Type | Control |
|-------|---------------|-------|-------|--------|----------|--------------------------------|
| W1001 | -S180WHT | AC12V | 12W | 6400K | 1320lm | 180pcs SMD2835 -- |
| | -S252WHT | AC12V | 18W | 6400K | 1980lm | 252pcs SMD2835 -- |
| | -S351WHT | AC12V | 25W | 6400K | 2750lm | 351pcs SMD2835 -- |
| W1101 | -S150WHT | AC12V | 35W | 6400K | 3850lm | 150pcs SMD5050 -- |
| | -S180WW | AC12V | 12W | 3000K | 1200lm | 180pcs SMD2835 -- |
| W1002 | -S252WW | AC12V | 18W | 3000K | 1800lm | 252pcs SMD2835 -- |
| | -S351WW | AC12V | 25W | 3000K | 2500lm | 351pcs SMD2835 -- |
| | -S150WW | AC12V | 35W | 3000K | 3500lm | 150pcs SMD5050 -- |
| W1102 | -S180RGB(R15) | AC12V | 12W | RGB | 660lm | 180pcs SMD2835 ON/OFF & Remote |
| | -S252RGB(R15) | AC12V | 18W | RGB | 990lm | 252pcs SMD2835 ON/OFF & Remote |
| | -S351RGB(R15) | AC12V | 25W | RGB | 1350lm | 351pcs SMD2835 ON/OFF & Remote |
| | -S150RGB(R15) | AC12V | 35W | RGB | 1950lm | 150pcs SMD5050 ON/OFF & Remote |

Epoxy Resin LED Panel

Replace PAR56 & Wall mounted

Code : Epoxy Resin LED panel



S252RGB Panel, 18W, RGB



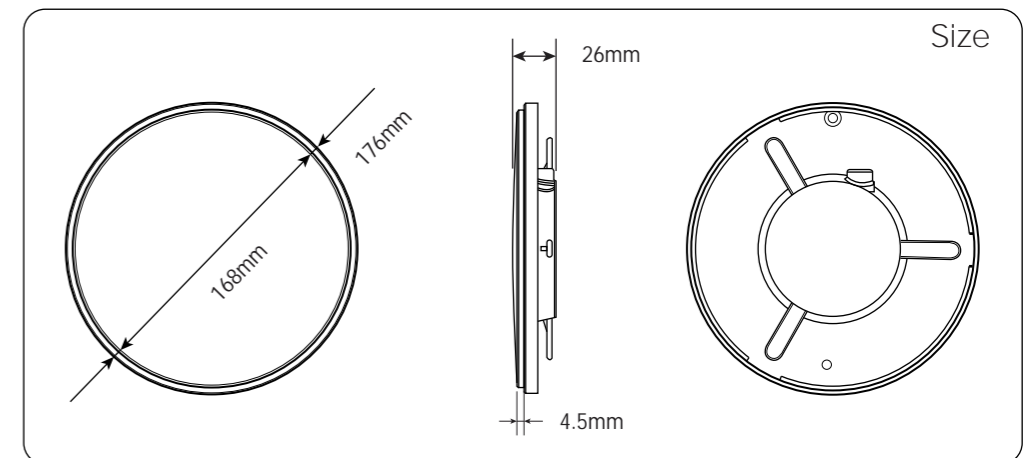
6400K



3000K



RGBW





S252WW Panel,
18W, Warm white 3000K



S252WHT Panel,
18W, Cool white 6400K

Specification

| Code | Vol. | Power | Color | Lumens | LED Type | Control |
|-----------------------|--------------|------------|-------------|---------------|-----------------------|-----------------|
| S252WHT Panel | AC12V | 18W | 6400K | 1980lm | 252pcs SMD2835 | -- |
| S351WHT Panel | AC12V | 25W | 6400K | 2750lm | 351pcs SMD2835 | -- |
| S441WHT Panel | AC12V | 32W | 6400K | 3520lm | 441pcs SMD2835 | -- |
| S513WHT Panel | AC12V | 40W | 6400K | 4400lm | 513pcs SMD2835 | -- |
| S252WW Panel | AC12V | 18W | 3000K | 1800lm | 252pcs SMD2835 | -- |
| S351WW Panel | AC12V | 25W | 3000K | 2500lm | 351pcs SMD2835 | -- |
| S441WW Panel | AC12V | 32W | 3000K | 3200lm | 441pcs SMD2835 | -- |
| S513WW Panel | AC12V | 40W | 3000K | 4000lm | 513pcs SMD2835 | -- |
| S252RGB(R15) Panel | AC12V | 18W | RGB | 990lm | 252pcs SMD2835 | ON/OFF & Remote |
| S351RGB(R15) Panel | AC12V | 25W | RGB | 1370lm | 351pcs SMD2835 | ON/OFF & Remote |
| S441RGB(R15) Panel | AC12V | 32W | RGB | 1760lm | 441pcs SMD2835 | ON/OFF & Remote |
| S513RGB(R15) Panel | AC12V | 40W | RGB | 2200lm | 513pcs SMD2835 | ON/OFF & Remote |
| S180RGBW Panel | DC12V | 40W | RGBW | 2300lm | 180pcs SMD5050 | 5 Wires |

How to replace PAR56 (A)



Remove the lamp holder, put the epoxy LED panel in the frame.
Fix the screws and adjust the bolts to lock the panel.

How to replace PAR56 (B) Hayward Niche



Remove the lamp holder, put the epoxy LED panel in the frame.
Fix the screws and SS clips, adjust the bolts to lock the panel.

How to replace PAR56 (C)

Astral Niche



Put the epoxy LED panel in the frame, add the 3pcs ABS clips..



Put the lamp holder and Astral clips on the panel.



Fasten the clips with 3pcs copper screws.



This Epoxy LED panel can be installed in all brands niche.

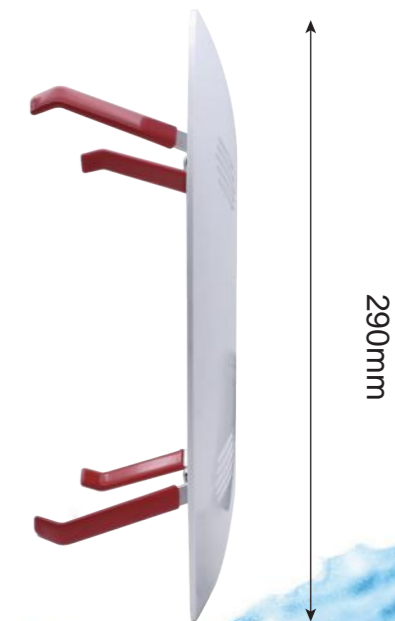
Such as Astral , Hayward

Code : W6002

Global Adapter

ABS Frame 290mm

INNOVATION

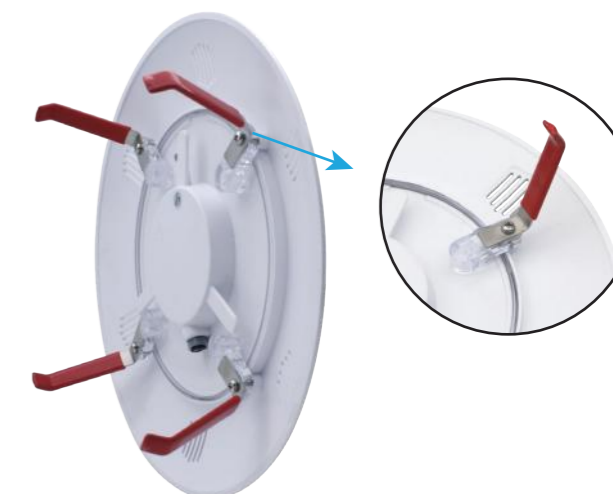


Suitable for Pentair/Hayward/Astral Niche and all other Niches

Totally solve the leaking problem from Niche lights. Do it easy by end user, no needing professional worker.



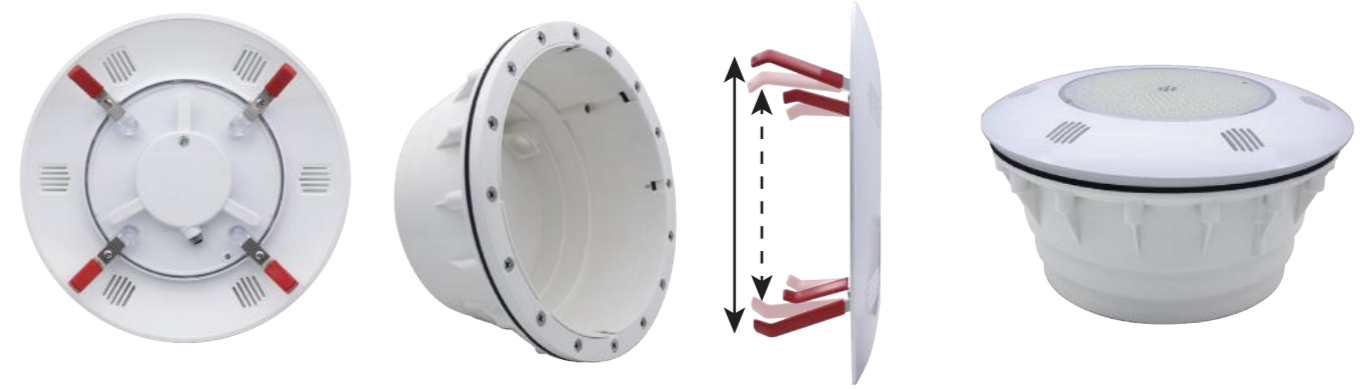
W6002-ABS



Code : W4008

Global Adapter

Stainless Steel 316L Frame 270mm



No Needing screws , adjusting the SS316L Fixing Brackets.
Pushing the Global Adapter into the Niche



Accessory

Suitable for Pentair/Hayward/Astral Niche
and all other Niches



W4008-SS316L



Specification

| Code | Vol. | Power | Color | Lumens | LED Type | Control | |
|---------------|---------------|-------|-------|--------|----------------|-----------------|-----------------|
| W4008 | -S252WHT | AC12V | 18W | 6400K | 1980lm | 252pcs SMD2835 | -- |
| | -S351WHT | AC12V | 25W | 6400K | 2750lm | 351pcs SMD2835 | -- |
| | -S441WHT | AC12V | 32W | 6400K | 3520lm | 441pcs SMD2835 | -- |
| | -S513WHT | AC12V | 40W | 6400K | 4400lm | 513pcs SMD2835 | -- |
| | -S252WW | AC12V | 18W | 3000K | 1800lm | 252pcs SMD2835 | -- |
| W6002 | -S351WW | AC12V | 25W | 3000K | 2500lm | 351pcs SMD2835 | -- |
| | -S441WW | AC12V | 32W | 3000K | 3200lm | 441pcs SMD2835 | -- |
| | -S513WW | AC12V | 40W | 3000K | 4000lm | 513pcs SMD2835 | -- |
| | -S252RGB(R15) | AC12V | 18W | RGB | 990lm | 252pcs SMD2835 | ON/OFF & Remote |
| | -S351RGB(R15) | AC12V | 25W | RGB | 1370lm | 351pcs SMD2835 | ON/OFF & Remote |
| -S441RGB(R15) | AC12V | 32W | RGB | 1760lm | 441pcs SMD2835 | ON/OFF & Remote | |
| -S513RGB(R15) | AC12V | 40W | RGB | 2200lm | 513pcs SMD2835 | ON/OFF & Remote | |